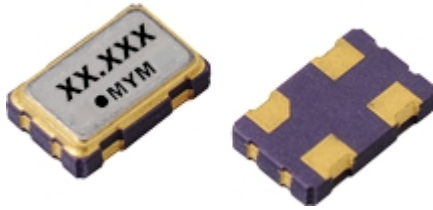


O531S Series-5.0mm x 3.2mm

CRYSTAL OSCILLATOR, SPXO



Features

- Mature industry mainstream oscillator package.
- Tri-state function.
- Low current consumption.
- Small supply voltage shift.
- Common solution for home security devices, networking, and base station applications.

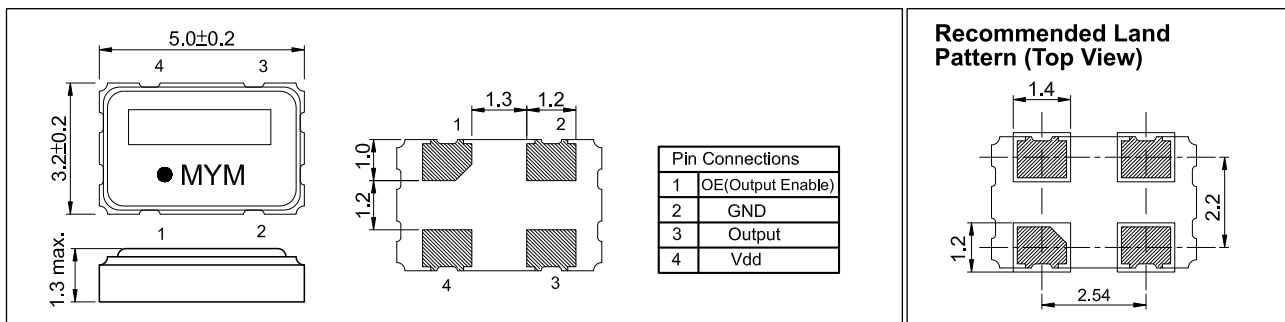
STANDARD SPECIFICATION:

ITEMS		PARAMETER			
Frequency Range		0.700MHz ~ 160MHz			
Frequency Stability		±25ppm, ±50ppm, ±100ppm			
Option on pin 1		pin 1 Have Control			
POWER voltage		+1.8 V (±10%)	+2.5 V (±10%)	+2.8 V (±10%)	+3.3 V (±10%)
Storage Temp.		-55°C ~ +125°C			
Output Character	"0" Level	10%VDD max			
	"1" Level	90%VDD min			
	Rise Time (Tr)	10% ~ 90%VDD 10ns max			
	Fall Time (Tf)	90% ~ 10%VDD 10ns max			
	Symmetry	60/40 to 40/60 at 50%VDD			
	Output Load	15pF, 30pF, 50pF Max.			
Current Consumption	I _{cc}	20mA max .			
Stand-by Current (#1 pin "L" Level)	I _{std}	10uA max .			
Start-up time		5ms max			
Phasae Jitter		1ps max(F offset : 12KHz ~ 20MHz)			

Packing Unit : 1,000pcs/Reel.

DIMENSION

Unit: mm



Test Circuit and Output Waveform:

