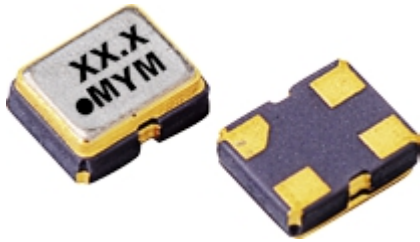


# O221S Series-2.5mm x 2.0mm

## CRYSTAL OSCILLATOR, SPXO



### Features

- Ultra miniature oscillator package.
- Tri-state function.
- Low current consumption.
- Small supply voltage shift.
- Optimal solution for home security devices, power saving application, and low frequency specification circuit design looking for a smaller package.

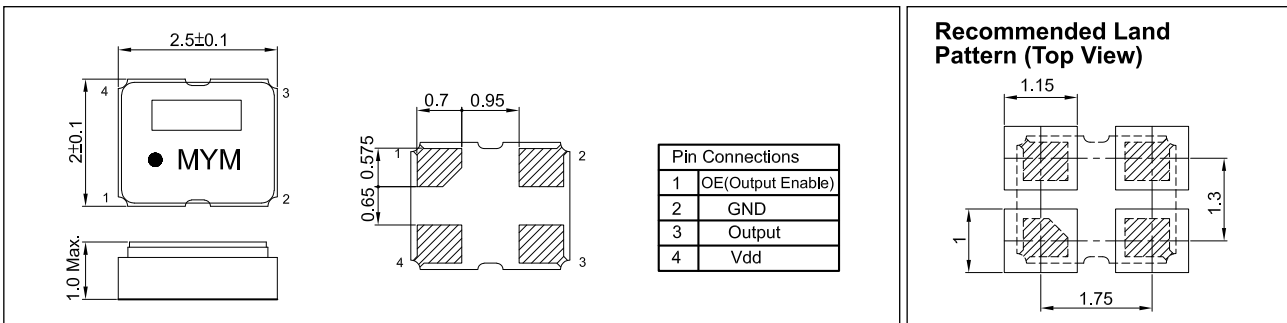
### STANDARD SPECIFICATION:

ITEMS		PARAMETER			
Frequency Range		1MHz ~ 125MHz			
Frequency Stability		±25ppm, ±50ppm, ±100ppm			
Option on pin 1		pin 1 Have Control			
POWER voltage		+1.8 V (±10%)	+2.5 V (±10%)	+2.8 V (±10%)	+3.3 V (±10%)
Storage Temp.		-55°C ~ +125°C			
Output Character	"0" Level	10%VDD max			
	"1" Level	90%VDD min			
	Rise Time (Tr)	10% ~ 90%VDD 10ns max			
	Fall Time (Tf)	90% ~ 10%VDD 10ns max			
	Symmetry	60/40 to 40/60 at 50%VDD			
	Output Load	15pF Max.			
Current Consumption	I <sub>cc</sub>	15mA max .			
Stand-by Current (#1 pin "L" Level)	I <sub>std</sub>	10uA max .			
Start-up time		10ms max			
Phasae Jitter		1ps max(F offset : 12KHz ~ 20MHz)			

**Packing Unit : 3,000pcs/Reel.**

### DIMENSION

Unit: mm



### Test Circuit and Output Waveform:

