

AT-49S Series

CRYSTAL RESONATOR, LEAD TYPE



Features:

- This series applies reliable resistance-weld sealing which ensure high specification performance.
- Mature product for uses in applications which requires high levels of manual assembly such as electronic toys or home electronics and/or appliances.
- Mature industry production history for less space-sensitive product designs.

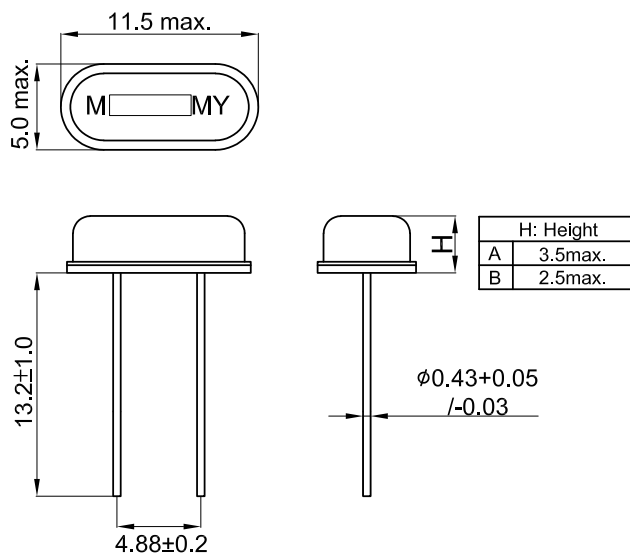
STANDARD SPECIFICATION:

ITEMS	PARAMETER		FREQUENCY	MODE	RR/SERIES
	A	B			
Frequency Range	3.0 ~ 40MHz	6.0~40 MHz	3.0 ~ 4.2 MHz	Fund.	150ΩMax.
Oscillation Mode Thickness Shear Mode	Fundamental		4.3 ~ 6.0 MHz	Fund.	100ΩMax.
Frequency Tolerance (at 25°C)	±10ppm, ±30ppm, ±50ppm, ±100ppm or specify		6.1 ~ 10.0 MHz	Fund.	60ΩMax.
Frequency Stability Over Operating Temperature Range (Ref. to 25°C)	±10ppm, ±30ppm, ±50ppm, ±100ppm (standard) or specify				
Operating Temperature Range	-20 ~ +75°C		10.1 ~ 14.0 MHz	Fund.	50ΩMax.
Drive Level (DL)	100μW Typ, or specify		14.1 ~40 MHz	Fund.	40ΩMax.
Load Capacitance (CL)	Series, 12pF, 16pF, 20pF, 32pF (Fund.) or specify.				
Storage Temperature Range	-30 ~ +80°C				
Aging (at 25°C)	±5ppm/year Max.				

Packing Unit : 1,000pcs/Reel.

DIMENSION

Unit: mm



※Lead pitch shall be measured at the root of leads.